

## UND-L Series Diesel Generator Set

**Standby**  
110 kVA  
88 kW

**Prime**  
100 kVA  
80 kW

Standby Power (ESP): In case of failure of reliable mains supply, variable electricity is used to power the load. ESP complies with ISO8528. Overloading is not allowed.

Prime Power (PRP): Variable electricity to load, power supply, yearly unlimited operation used for the clock. PRP complies with ISO 8528. 12 hours of operation according to ISO3046 Used for 10% overload for 1 hour in the period.



### Engine

In Universal Generator engine products; High performance, low fuel consumption, mechanical or electronic governor depending on the type, Oil, air, fuel filters are interchangeable, using high-tech engine brands in accordance with ISO 3046, ISO 8528, BS 5514, DIN 6271 standards.

#### ENGINE SPECIFICATIONS

Engine Brand	LOVOL
Engine Model	1006TG2A
Power	110 kVA / 100 kVA (Standby/Prime)
Engine Power	103,8 kW / 94,4 kW (Standby/Prime)
Number of Cylinders	6-Line
Engine Capacity	5,99 lt
Bore & Stroke	100x127 mm
Fuel Consumption	24 lt/h (%100)
Oil Capacity	16,1 lt
Aspiration	Turbocharge
Starter	12 V
Cooling	Water Cooling
Filters	Interchangeable
Fuel System	Injection

### Alternator

Universal Generator alternator products have a steel body design, robust structure, maintenance-free bearing system (brushless) with self-excitation system, electronic type voltage regulator, BS 4999-5000; CEI EN 60034-1; IEC 60034-1; VDE 0530, OVE M10, NF 51-100,111; It uses high technology alternator brands in accordance with NEMA MG 1.22.

#### ALTERNATOR FEATURES

Power Factor	0,8
Insulation Class	H
Protection	IP21-IP23
Output Voltage	231/400 VAC - 50 Hz
Frequency	50 Hz
Connection Type	Star
Design	4 Poles - Brushless

## Control System

Easy-to-use secure software updates in Universal Generator control panels have a structure that can be easily done with USB ports. Optionally, remote control can be provided via ETHERNET and GPRS. The panel body is produced from steel sheet and with electrostatic powder paint. It has been painted. The electronics are isolated and waterproof design.

### CONTROL SYSTEM FEATURES

- LCD Screen Automatic Control System
- Remote monitoring possibility
- Multifunctional business opportunity
- Multi language support
- Programmable over USB, RS-232 and GSM

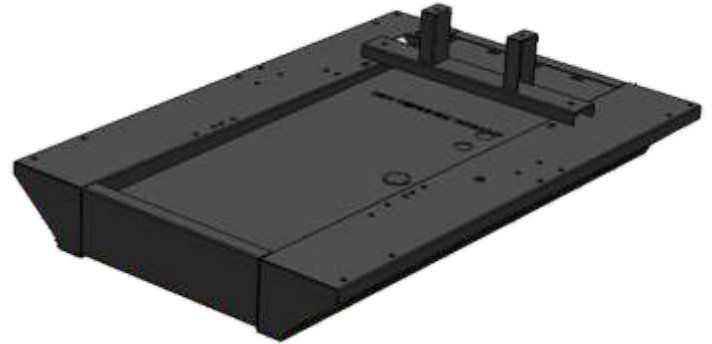


## Chassis, Cabin and Fuel Tank

Universal Generator chassis has a modular design and is made of steel, the tank is mounted on the chassis with bolts. Engine alternator Radiator connections are made with vibration wedges and vibration is minimized. Special chassis and fuel tank in line with customer demands can make designs.

### CABINET

- Cabinet design that facilitates generator maintenance
- Emergency stop button on the cabin
- Transparent control cabinet window
- Acoustic sponge providing sound insulation
- Hidden exhaust silencer inside the cabin
- Engine cooling air ducts
- Electrostatic powder paint resistant to corrosion and rusting
- Refueling outside the cabin



### OPTIONS

Transfer Board	Analog Gauges
Protection Switch	24 Hour Fuel Tank
External Type Fuel Tank	Special Chassis Color
Synchronous System	Special Cabinet Color
Electronic Governor	Remote Monitoring Module
Earthquake Sensor	Special Type Muffler

## Quality Standards

- All generating sets produced by Universal Generator have TSE, CE and ISO 9001-14001-18001 certificates.
- Technical information and values are in accordance with ISO8528, ISO3046, NEMA MG1.22, IEC 600341, BS 49995000 VDE 0530 standards.

## TECHNICAL DIMENSIONS

### WITH CABINET

WIDTH	LENGTH	HEIGHT	WEIGHT
1100 mm	3050 mm	1690 mm	1883 kg

### WITHOUT CABINET

WIDTH	LENGTH	HEIGHT	WEIGHT
1100 mm	2600 mm	1690 mm	1630 kg

