

UND-M Series Diesel Generator Set

Standby
460 kVA
368 kW

Prime
418 kVA
334 kW

Standby Power (ESP): In case of failure of reliable mains supply, variable electricity is used to power the load. ESP complies with ISO8528. Overloading is not allowed.

Prime Power (PRP): Variable electricity to load, power supply, yearly unlimited operation used for the clock. PRP complies with ISO 8528. 12 hours of operation according to ISO3046 Used for 10% overload for 1 hour in the period.



Engine

In Universal Generator engine products; High performance, low fuel consumption, mechanical or electronic governor depending on the type, Oil, air, fuel filters are interchangeable, using high technology engine brands in accordance with ISO 3046, ISO 8528, BS 5514, DIN 6271 standards.

ENGINE SPECIFICATIONS

| | | |
|-----------------------------|---------------------------------|-------|
| Engine Brand | MESMAX | |
| Engine Model | JSD6L375TAD | |
| Engine Power | 375 kW / 341 kW (Standby/Prime) | |
| Speed (rpm) | 1500 | |
| Time | 4 | |
| Number of Cylinders | 6 | |
| Engine Capacity | 12,9 lt | |
| Bore & Stroke (mmXmm) | 135x150 | |
| Compression Ratio | 15,75:1 | |
| Governor Type | Electronic | |
| Induction System | Turbocharge / Intercooler | |
| Combustion System | Direct | |
| Cooling System | Water Cooling | |
| Lubrication Capacity | 32,5 lt | |
| Coolant Capacity | 64 lt | |
| Fuel Consumption liter/hour | %100 | 68 lt |
| | %75 | 50 lt |
| | %50 | 34 lt |

Alternator

In Universal Generator alternator products, it has a steel body design, robust structure, maintenance-free bearing system (brushless) with self-excitation system, electronic type voltage regulator, BS 4999-5000; CEI EN 60034-1; IEC 60034-1; VDE 0530, OVE M10, NF 51-100, 111; It uses high technology alternator brands in accordance with NEMA MG 1.22.

ALTERNATOR FEATURES

| | |
|------------------|---------------------|
| Power Factor | 0,8 |
| Insulation Class | H |
| Protection | IP21-IP23 |
| Output Voltage | 231/400 VAC - 50 Hz |
| Frequency | 50 Hz |
| Connection Type | Star |
| Design | 4 Poles - Brushless |

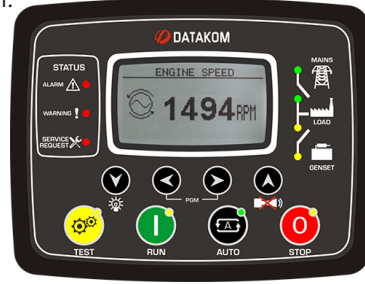
MESMAX Serisi

Control System

Easy-to-use secure software updates in Universal Generator control panels have a structure that can be easily done with USB ports. Optionally, remote control can be provided with ETHERNET and GPRS. Panel body is made of steel sheet and is painted with electrostatic powder paint. It has been painted. The electronics are isolated and waterproof design.

CONTROL SYSTEM FEATURES

| |
|---------------------------------------|
| LCD Screen Automatic Control System |
| Remote monitoring possibility |
| Multifunctional business opportunity |
| Multi language support |
| Programmable over USB, RS-232 and GSM |

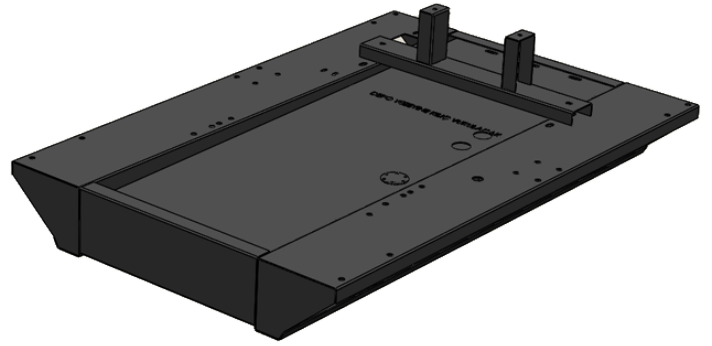


Chassis, Canopy and Fuel Tank

Universal Generator chassis has a modular design and is made of steel. Engine alternator Radiator connections are made with vibration wedges and vibration is minimized. Special chassis and fuel tank in line with customer demands can make designs.

CANOPY

| |
|---|
| Canopy design that facilitates generator maintenance |
| Emergency stop button on the cabin |
| Transparent control cabinet window |
| Acoustic sponge providing sound insulation |
| Hidden exhaust silencer inside the cabin |
| Engine cooling air ducts |
| Electrostatic powder paint resistant to corrosion and rusting |
| Refueling outside the cabin |



OPTIONS

| | |
|---------------------------------|--------------------------|
| Transfer Board | Analog Gauges |
| Protection Switch | 24 Hour Fuel Tank |
| External Type Fuel Tank | Special Chassis Color |
| Synchronous System | Special Cabinet Color |
| Electronic Governor Application | Remote Monitoring Module |
| Earthquake Sensor | Special Type Muffler |

Quality Standards

- All generating sets produced by Universal Generator have TSE, CE and ISO 9001 certificates.
- Technical information and values are in accordance with ISO8528, ISO3046, NEMA MG1.22, IEC 600341, BS 49995000, VDE 0530 standards.

TECHNICAL DIMENSIONS

CABINET GROUP

| WIDTH | LENGTH | HEIGHT | WEIGHT | FUEL TANK |
|---------|---------|---------|---------|-----------|
| 1500 mm | 4000 mm | 2850 mm | 3050 kg | 1000 lt |

UNCABINET GROUP

| WIDTH | LENGTH | HEIGHT | WEIGHT | FUEL TANK |
|---------|---------|---------|---------|-----------|
| 1500 mm | 4000 mm | 2050 mm | 2500 kg | 1000 lt |

